

LC1-K Series AC Contactor

Application

LC1-K series AC contactor is suitable for use in the circuit up to the rate and frequent starting, controlling the AC motor. The addition of auxiliary contact group to the contactor, combined with the proper thermal relay, can act to protect the circuit bound to overload. It conforms to IEC60947-4-1.



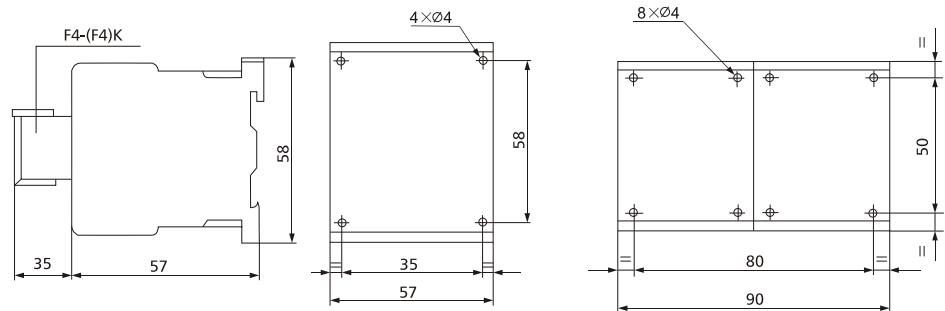
LC1-K06
LC1-K09
LC1-K12



Specification

Type		LC1-K06	LC1-K09	LC1-K12	
Rating working voltage(V)		660(990)			
Rating working current(A)	380V	AC-3	6	9	12
		AC-4	2.6	3.5	5
Appointed heating current(A)		16	20	20	
The max current when run on(A)	380V	60	90	120	
	660V	72	108	144	
The max current for turn off(A)	380V	48	72	96	
	660V	60	90	120	
Three phases cage motors power which can be pulled AC3(KW)	220v	1.5	2.2	3	
	380v	2.2	4	5.5	
	660v	3	4	4	
Operation frequency (time/hour)	Electricity life($\times 10^4$)	AC-3	1200		
		AC-4	300		
Electrical lfie	AC-3	5×10^6			
	AC-4	1×10^5			
Mechanical life		3×10^6			

Outline and mounting dimension



LA1KN Contact Blocks



LA1KN11



LA1KN22

Specifications

Type	LA1KN11	LA1KN22
contact number	1NO+1NC	2NO+2NC